

The FS60 fire shutter has been tested at Exova Warringtonfire under BS EN 1634-1:2008 test conditions, and assessed to BS EN 476-22:1987, to contain fire within particular parts of a building for 1 hour. All shutters can be connected to a fire alarm so they automatically descend by operation of the motor.



APPLICATIONS

High security commercial and service sites, up to 50m². The FS60 fire shutter has been tested at Exova Warringtonfire under BS EN 1634-1:2008 test conditions, and assessed to BS EN 476-22:1987, to contain fire within particular parts of a building for 1 hour. All shutters can be connected to a fire alarm so they automatically descend by operation of the motor. Further failsafe devices for higher levels of response to a fire outbreak or alarm are available. Suitable for internal or external face or reveal fit.

CURTAIN SLAT

Single skin 76mm curved steel with a thickness 0.7mm, 0.9mm, or 1.2mm, depending on overall opening size.

Finish: Galvanised finish as standard. Option to powder coat any RAL / BS colour (surcharges apply).

Visible Face:	76mm
Weight per m ² :	9.8kg (0.7mm thickness) 12.5kg (0.9mm thickness) 16.7kg (1.2mm thickness)
Maximum Width:	12000mm*
Maximum Area:	21m ² (tubular motor) 50m ² (inline motor)

*Size limitations vary dependent on motor and barrel support requirements. Larger sizes may be available on request.

CASING

Galvanised steel casing & end plates as standard. Larger shutters incorporate barrel support frame where required (indicated on pricing tables).

N.B. Reveal fix installations are supplied with a fascia as standard.

Finish: Galvanised finish as standard. Option to powder coat any RAL / BS colour or to choose from a range of plastisol finishes (surcharges apply).

Guide Height (mm)	Plate Size (mm)
2500	305
4000	355
6000	400

All plate sizes shown as a guide only and may vary.

BOTTOM RAIL

Galvanised steel 'T' shaped bottom rail.

GUIDE CHANNELS

Galvanised steel guide channels. Width of 65mm, 75mm or 100mm. Windlocking guides and slat-ends available.

Finish: Galvanised finish as standard. Option to powder coat any RAL / BS colour (surcharge applies).

OPERATION

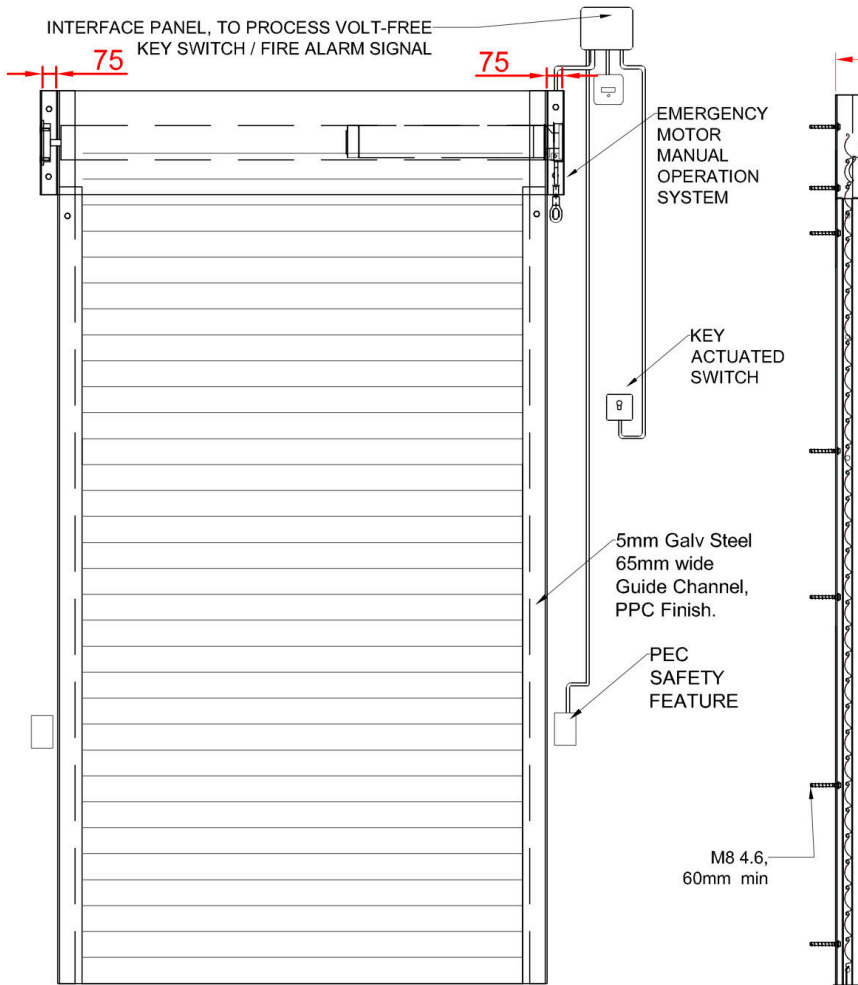
Electric, Tubular Motor: Tubular motor with rocker or external key switch as standard & safety brake as appropriate to comply with legislation. Manual override facility & crank handle as required (surcharge applies).

Electric, Inline Motor: Single phase inline chain driven motor (three phase option available) with push button control, chain override, fusible link and solenoid release as standard.

All shutters can be connected to a fire alarm via an interface panel so they automatically descend in the event of an alarm signal.

CE compliant to all applicable directives and regulations.

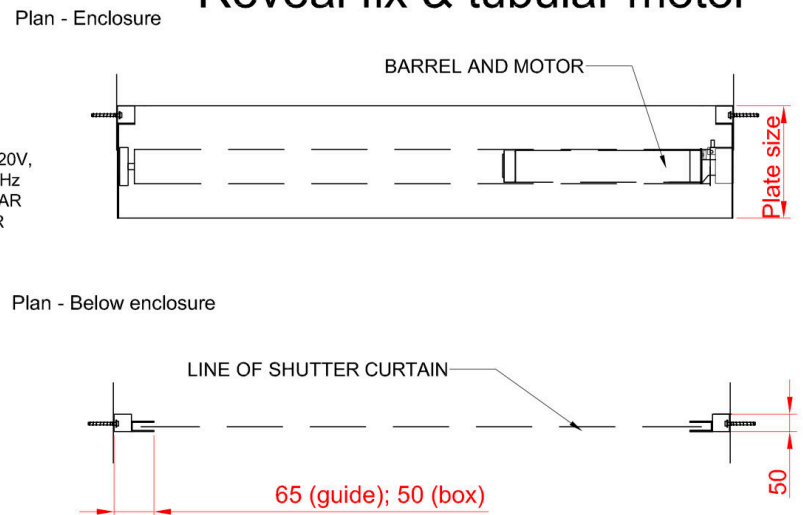
FRONT FACE



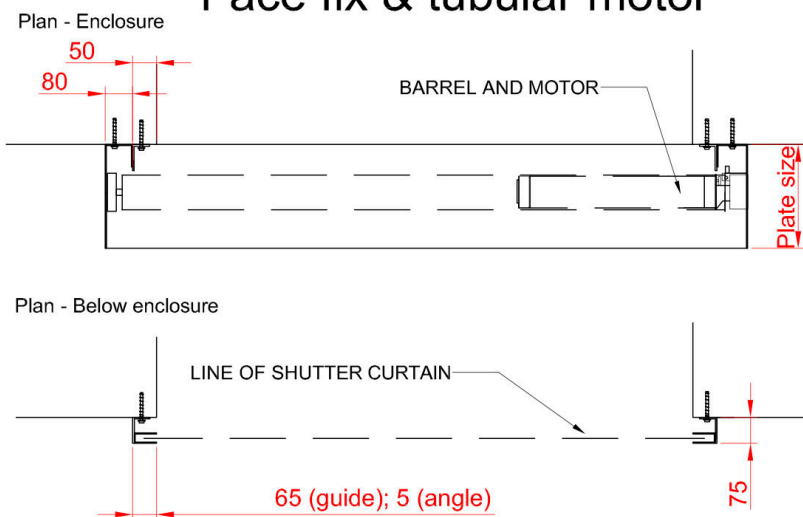
Example arrangement

FIXING DETAIL

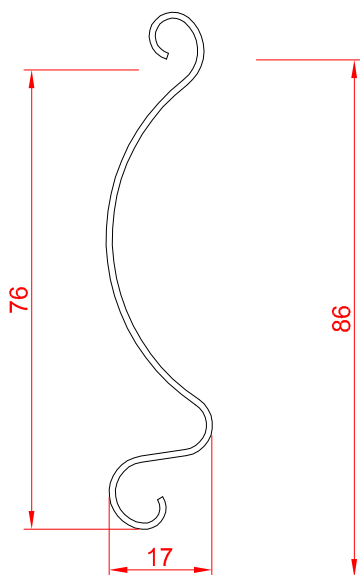
Reveal fix & tubular motor



Face fix & tubular motor



SLAT PROFILE



GUIDE CHANNELS

