

TUBE & LINK (STEEL HOUSING)

MAXIMUM VISION SECURITY GRILLE :: TECHNICAL DATASHEET 16

Medium security commercial sites where see-through vision is a priority. The Tube & Link security grille comprises steel rod-filled tubes and vertical links which provide large openings for maximum vision, light ingress and ventilation. It is commonly installed behind glass, but can also be a standalone security barrier. This datasheet details the steel casing and guide system - for the aluminium system see Datasheet 15.



APPLICATIONS

Medium security commercial sites where see-through vision is a priority. The Tube & Link offers high visibility and can be used internally behind glass for shop displays, or as a standalone security barrier. Suitable for internal or external face or reveal fit.

GRILLE LATTICE

Brick formation as standard, utilising 13mm diameter tubes enclosing 8mm steel rods. Vertical lattice links create 56mm high openings (lower or higher available on request), enabling 75% transparency.

Finish: Anodised aluminium, mill finish or powder coated.

Weight per m ² :	9kg
Maximum Width:	12000mm
Maximum Area:	20m ² (tubular motor) 72m ² (outboard motor)

CASING

Galvanised steel casing and end plates.

Finish: Galvanised, or powder coated to match powder coated grille.

Aluminium box also available (see Datasheet 15).

Guide Height (mm)	Plate Size (mm)	Motor
1850	250	Tubular
2700	300	Tubular
4150	360	Tubular
2659	305	Tubular
4145	355	Tubular
5200	400	Tubular / Outboard
6000	450	Outboard

Plate sizes shown as a guide only and may vary.

BOTTOM RAIL

Galvanised steel guide channels. Steel 'L' or 'T' shaped bottom rail.

GUIDE CHANNELS

Galvanised steel guide channels. Guide channel width will vary dependent on application, either 50mm, 65mm, 75mm or 100mm. Windlocking guides and slat-ends available.

Finish: Galvanised, or powder coated to match powder coated grille.

Guide channels are bolted onto angle or box section, depending on the application.

OPERATION

Electric, Tubular Motor: Tubular motor with internal rocker or external key switch as standard & safety brake as appropriate to comply with legislation. Manual override facility & crank handle as required (surcharge applies).

Outboard Motor: Three phase motor with safety brake, chain manual override & TS959 push button control station as standard. Both tubular & outboard motors have numerous control option variants such as group, remote or mobile phone activation.

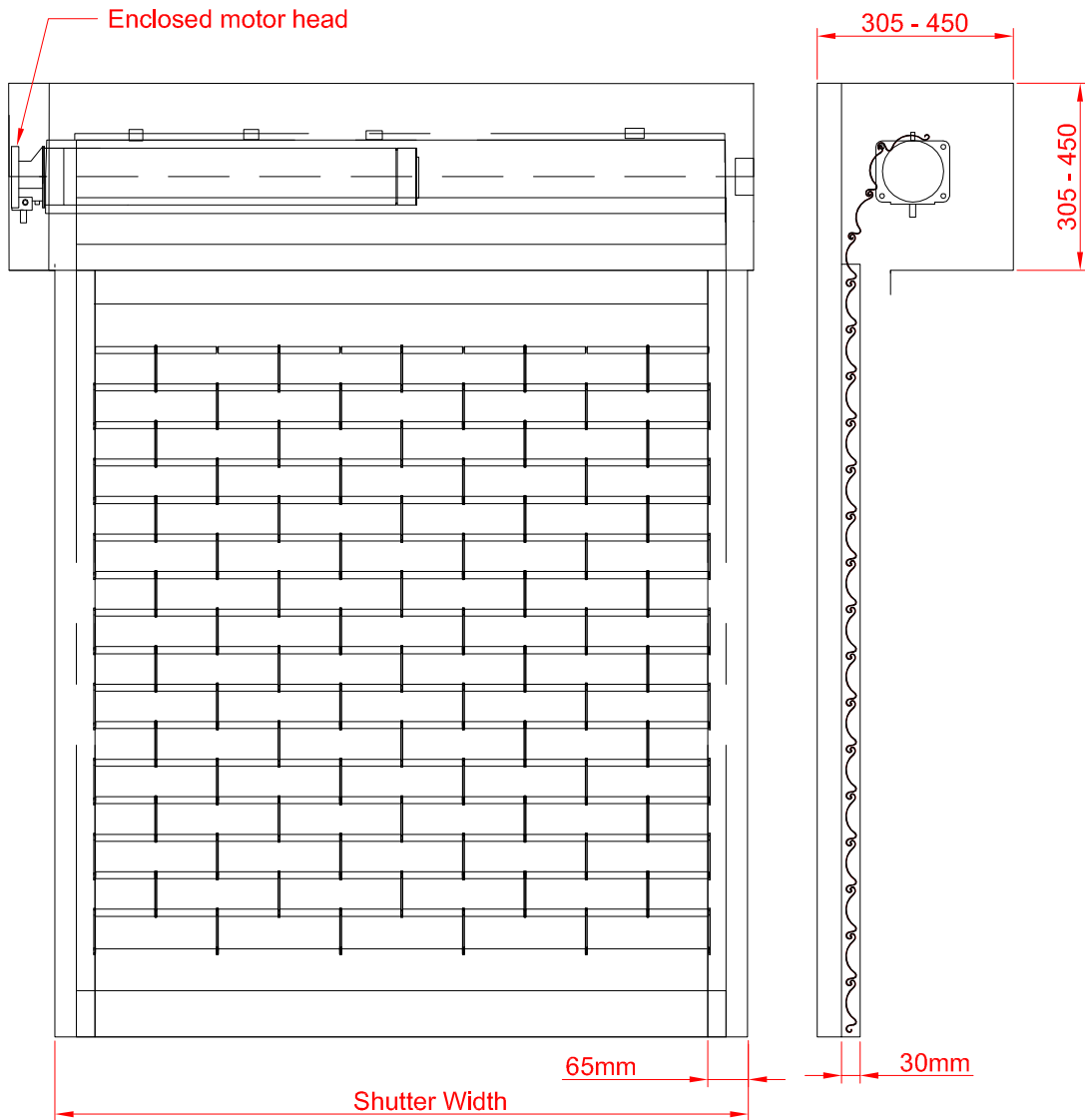
CE Compliant to all applicable directives and regulations.

TUBE & LINK (STEEL HOUSING)

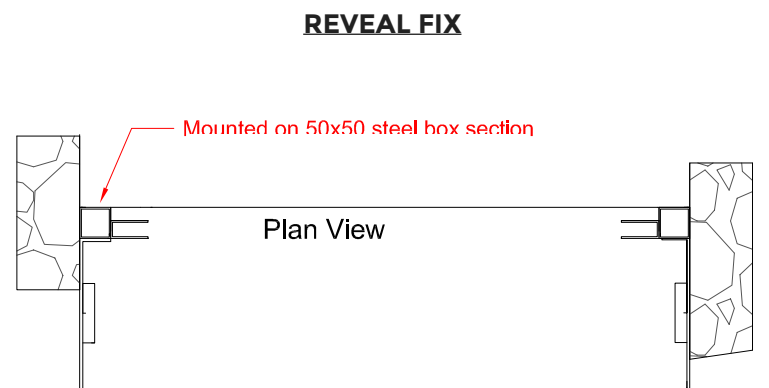
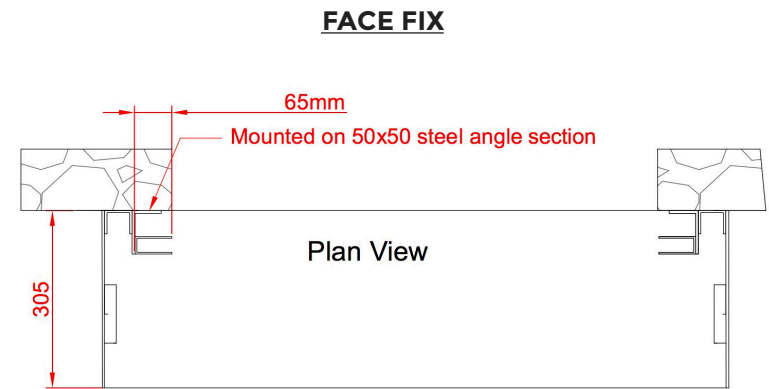
MAXIMUM VISION SECURITY GRILLE :: TECHNICAL DATASHEET 16



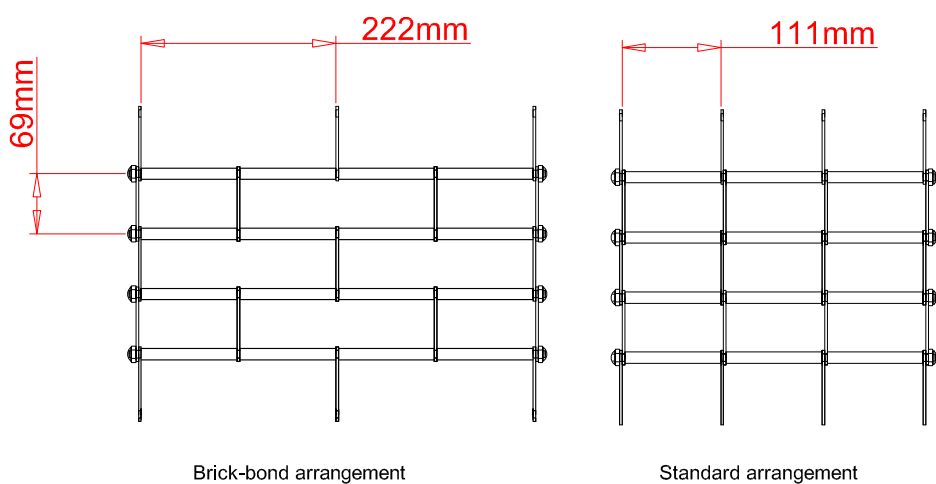
FRONT FACE



FIXING DETAIL



SLAT PROFILE



GUIDE CHANNELS

