

Suitable for domestic and commercial sites up to 12m², the V37 and P37 provide the benefits of the compact E37 roller shutter with additional vision. The V37 has a punched profile and the P37 has a perforated profile. Both are formed from double-skinned extruded aluminium and offer small box sizes for compact openings. Electric and manual operation are available.



APPLICATIONS

Domestic and commercial sites, up to 12m². The V37 (vision profile) and P37 (perforated) rolling shutters are a robust and lightweight barrier concealed within a compact enclosure when fully open. The shutter range is ideal for window openings and pedestrian door entrances, either internally or externally mounted.

Solid (E37), punched and perforated profiles can be combined to offer partial or full vision as required.

CURTAIN SLAT

Double-skinned extruded aluminium with punched sections (V37) or perforated (P37) profile.

Finish: White or Brown as standard. Option to powder coat any RAL / BS colour (surcharge applies).

Visible Face:	37.5mm
Weight per m ² :	5.6kg (V37) 5kg (P37)
Maximum Width:	4000mm (electric operation)
Maximum Area:	12m ² (electric operation) 9m ² (manual operation)

ENCLOSURE

Roll-formed aluminium box with pressure-moulded aluminium alloy end plates. Circular box available in 165mm and 205mm sizes (surcharge applies). The Elite shutter has an extruded aluminium box when fitted externally.

Finish: White or Brown as standard. Option to powder coat any RAL / BS colour (surcharge applies).

1535	165
1820	180
2795	205
3550	250
4700	300

Plate sizes shown as a guide only and may vary.

BOTTOM SLAT

Extruded aluminium bottom slat with rubber weather seal.

GUIDE CHANNELS

Extruded aluminium guide channels with brush inserts. Width of 45mm, 53mm, 60mm HD or 66mm. Self-packing and circular surface guides available on request.

Finish: White or Brown as standard. Option to powder coat any RAL / BS colour (surcharge applies).

OPERATION

Electric: Tubular motor & internal rocker or external key switch as standard. Safety brake as appropriate to comply with legislation. Manual override facility & crank handle as required (surcharge applies).

Numerous control option variants such as group, remote or mobile phone activation.

Manual Cord Belt: A swivel winder coils a belt attached to the rotating shutter barrel.

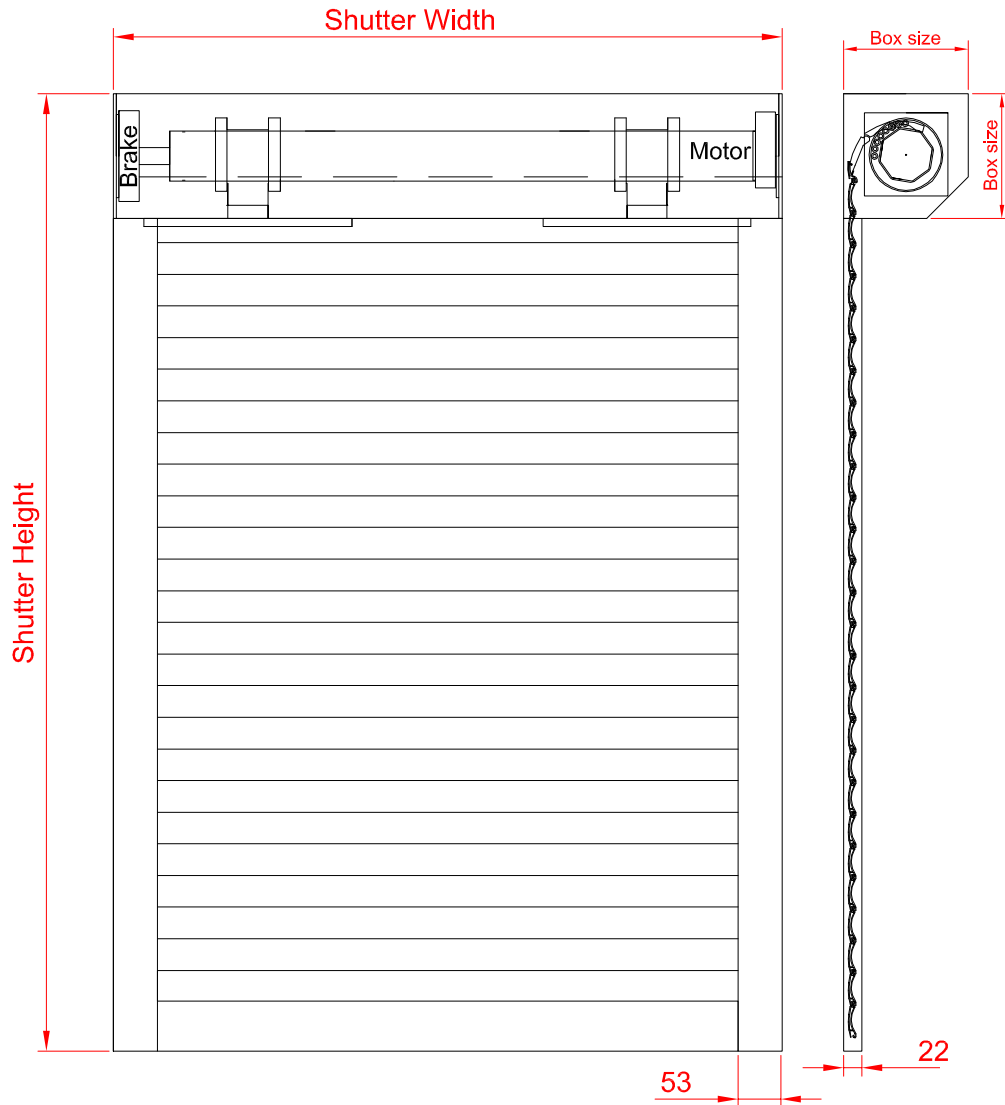
Manual Rod & Crank: Geared rod and crank handle winds the shutter.

Manual Spring & Lock: A counter-balanced spring assembly with a key-lock bottom slat & handles.

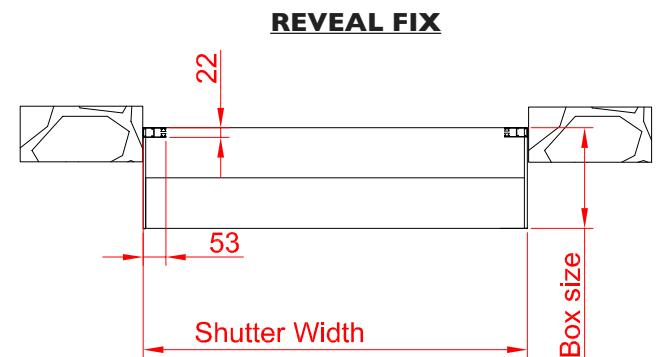
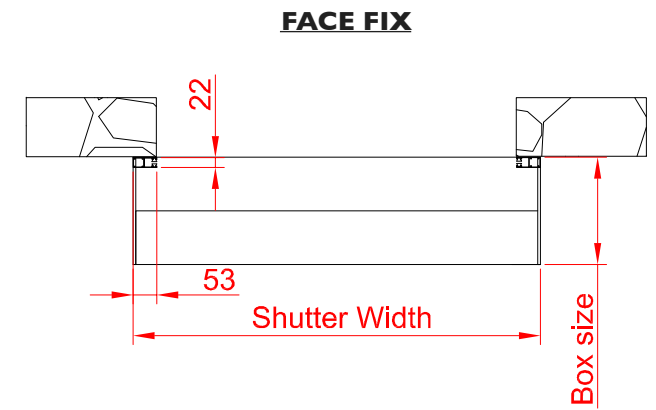
CE compliant to all applicable directives and standards.

Guide Height (mm)	Plate Size (mm)
1050	150

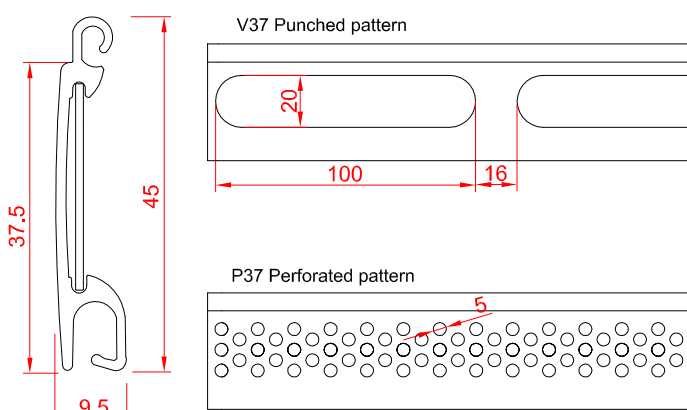
FRONT FACE



FIXING DETAIL



SLAT PROFILE



V37 & P37
Cross Section

GUIDE CHANNELS

