

Commercial and industrial steel security shutter, suitable for openings up to 49m² where vision is required. The curved steel profile has punched sections for maximum visibility and light ingress. Electric operation is provided as standard via a tubular or outboard motor (dependent on shutter size).



APPLICATIONS

Commercial and industrial openings up to 49m². The V76 offers full or partial vision of 32% see-through visibility while retaining the durability and security of a regular solid shutter curtain. Solid slats can be incorporated as required.

CURTAIN SLAT

Single skin 76mm (3") curved steel with punched sections for vision. Wall thickness 0.7mm, 0.9mm, or 1.2mm, depending on overall opening width.

Finish: Galvanised finish as standard. Option to powder coat any RAL / BS colour or to choose from a range of plastisol finishes (surcharges apply).

| | |
|-----------------------------|---|
| Visible Face: | 76mm |
| Weight per m ² : | 8.3kg (0.7mm thickness) 10.6kg (0.9mm thickness) 14.2kg (1.2mm thickness) |
| Maximum Width: | 12000mm |
| Maximum Area: | 29m ² (tubular) 49m ² (outboard) |

CASING

Galvanised steel casing & end plates as standard. Optional fascia / custom design casings available on request (surcharge applies). Aluminium box also available (see Datasheet 19). N.B. Reveal fix installations are supplied with a fascia as standard.

Finish: Galvanised finish as standard. Option to powder coat any RAL / BS colour (surcharge applies).

| Guide Height (mm) | Plate Size (mm) | Motor |
|-------------------|-----------------|---------|
| 2695 | 305 | Tubular |
| 4000 | 355 | Tubular |

| | | |
|------|-----|----------|
| 5000 | 400 | Tubular |
| 2200 | 305 | Outboard |
| 3650 | 355 | Outboard |
| 6000 | 400 | Outboard |

Plate sizes shown as a guide only and may vary. These sizes apply to standard shutter roll methods only.

GUIDE CHANNELS

Galvanised steel with a width of 50mm, 65mm, 75mm or 100mm. Windlock version available.

Finish: Galvanised finish as standard. Option to powder coat any RAL / BS colour (surcharge applies).

BOTTOM RAIL

Galvanised steel 'L' or 'T' shaped bottom rail.

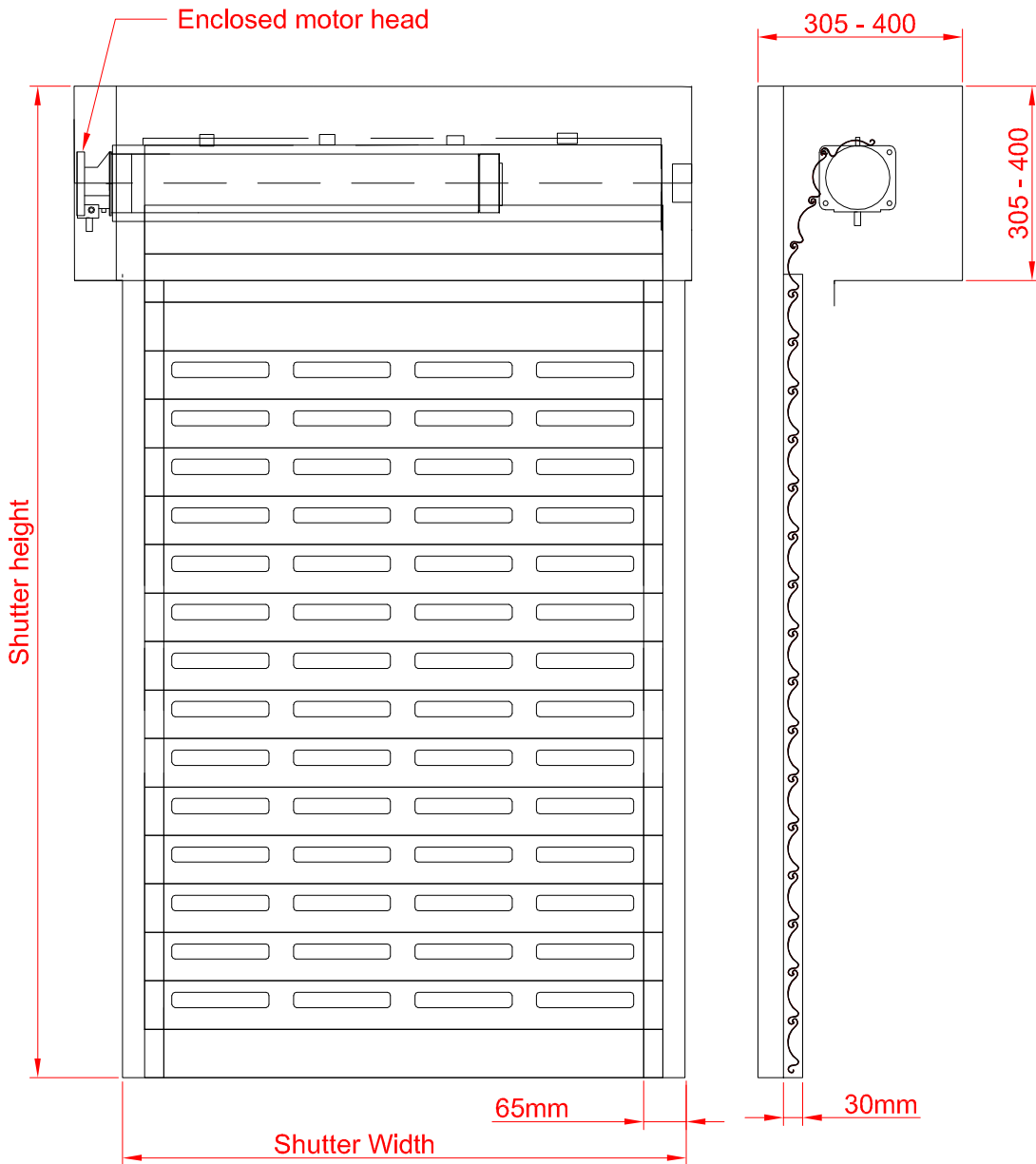
OPERATION

Electric, Tubular: Tubular motor with internal rocker or external key switch as standard & safety brake as appropriate to comply with legislation. Manual override facility & crank handle as required (surcharge applies).

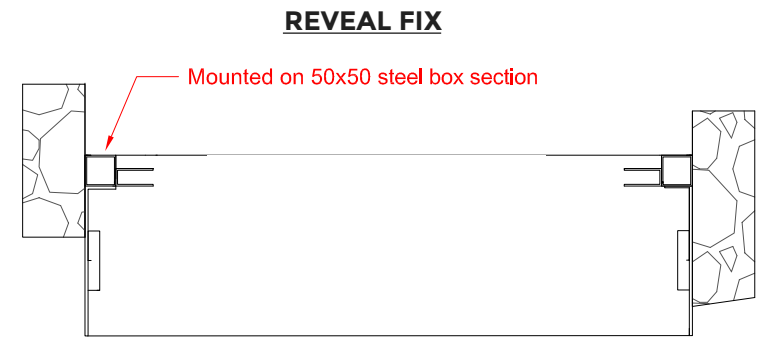
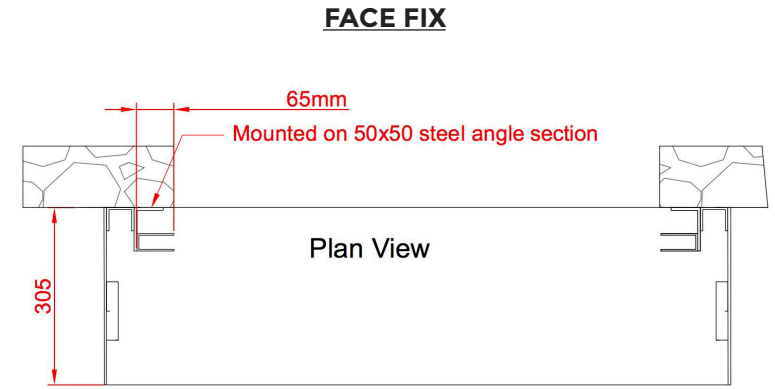
Electric, Outboard: Three phase motors with safety brake, chain manual override & TS959 push button control station as standard. Both tubular & outboard motors have numerous control option variants such as group, remote or mobile phone activation.

CE compliant to all applicable regulations and directives.

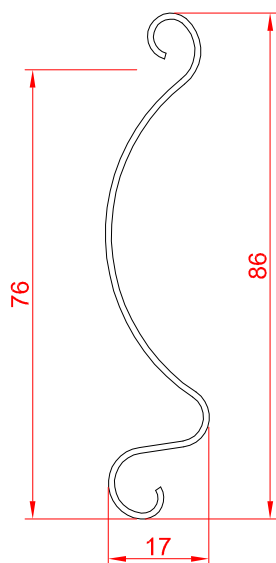
FRONT FACE



FIXING DETAIL



SLAT PROFILE



GUIDE CHANNELS

