

The V77 aluminium shutter is suitable for applications requiring transparency with security. Vision can be arranged in a line or brick formation, and optional vision inserts are available to increase security and insulation. Solid profiles can be combined as required - see E77 (Datasheet 10). Openings up to 25m², with an internal or external face or reveal fit.



APPLICATIONS

Commercial sites & shop front applications, up to 25m². The V77 shutter affords 41% vision as well as an outstanding security rating among vision profiles. The slat offers polycarbonate inserts to infill the punched section if required, adding to the thermal insulation properties and the security value. Suitable for internal or external face or reveal fit.

Solid profiles can be incorporated as required - see E77 (Datasheet 10). The V77 can also be upgraded to insurance approved Secured By Design status, meeting LPCB LPS1175 (6.0) standard to SR2 (see Datasheet 12 'E77 & V77 Elite Security Shutter').

CURTAIN SLAT

Single skinned extruded aluminium. Vision can be arranged in a line or brick formation.

Finish: White or Brown as standard. Option to powder coat any RAL / BS colour (surcharge applies).

| | |
|-----------------------------|---|
| Visible Face: | 77mm |
| Weight per m ² : | 7.5kg (without inserts) 8.8kg (with inserts) |
| Maximum Width: | 6500mm |
| Maximum Area: | 25m ² |

ENCLOSURE

Manufactured from roll-formed aluminium with pressure-moulded aluminium alloy end plates.

Finish: White or Brown as standard. Option to powder coat any RAL / BS colour (surcharge applies).

| Guide Height (mm) | Plate Size (mm) |
|-------------------|-----------------|
| 1650 | 250 |
| 2600 | 300 |
| 4640 | 360 |

Plate sizes shown as a guide only and may vary.

BOTTOM SLAT

Extruded aluminium bottom slat with weather seal.

GUIDE CHANNELS

Extruded aluminium with brush inserts. Width of 70mm, 90mm or 150mm.

Finish: White or Brown as standard. Option to powder coat any RAL / BS colour (surcharge applies).

OPERATION

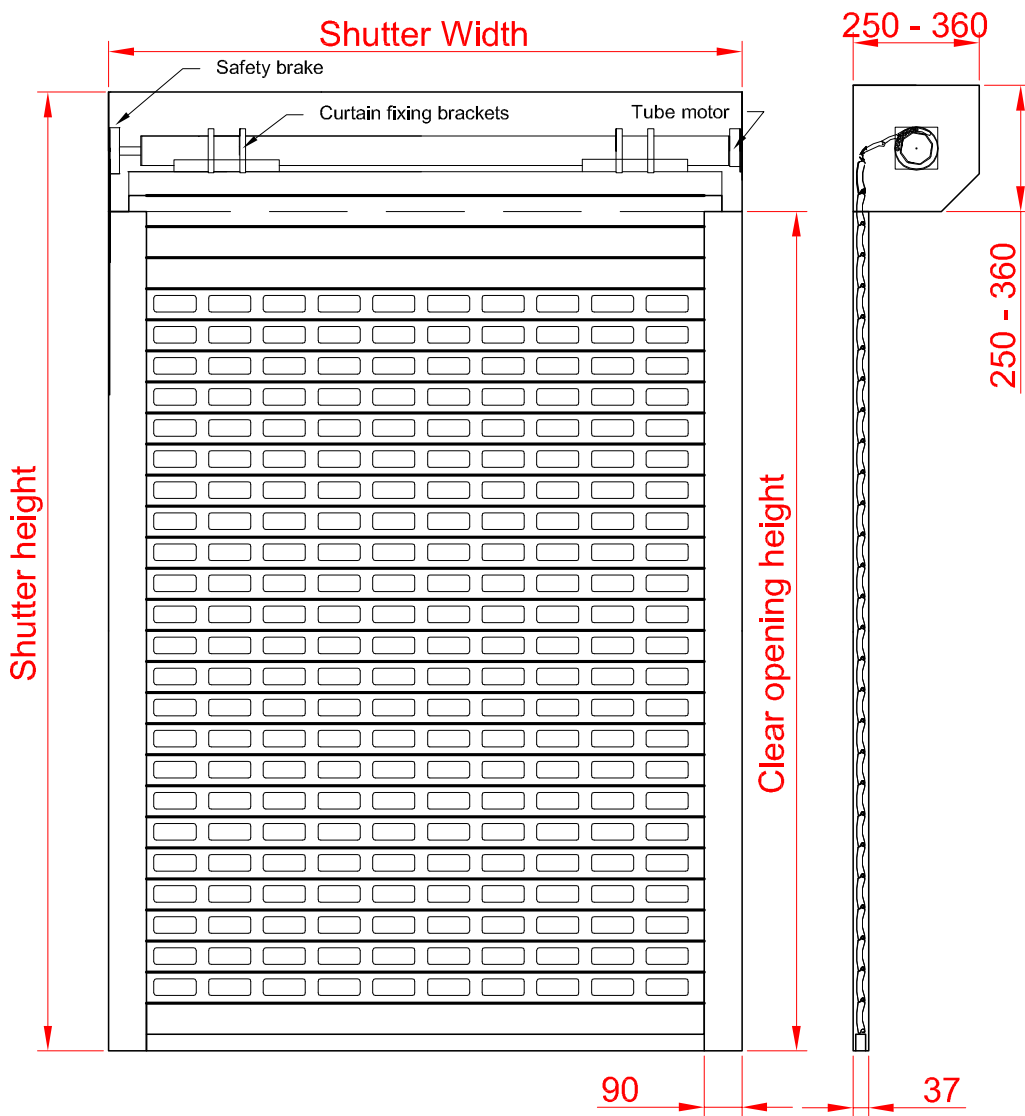
Electric: Tubular motor & internal rocker or external key switch as standard. Safety brake as appropriate to comply with legislation. Manual override facility & crank handle as required (surcharge applies).

Numerous control option variants such as group, remote or mobile phone activation.

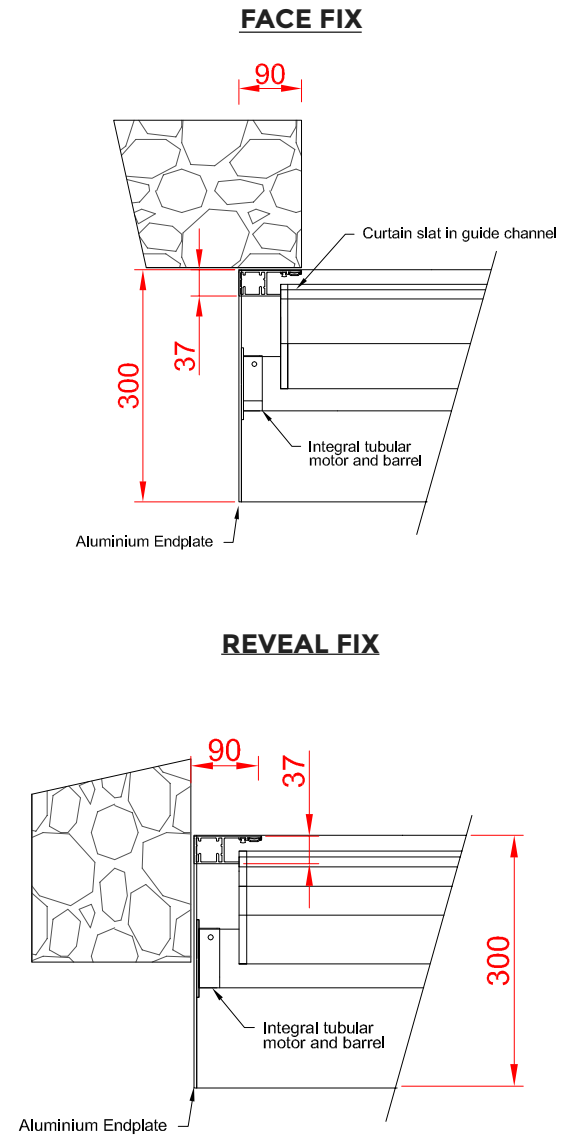
Note: Manual operation is available but not common for the V77 as the shutter tends to be used to cover larger openings.

CE compliant to all applicable directives and standards.

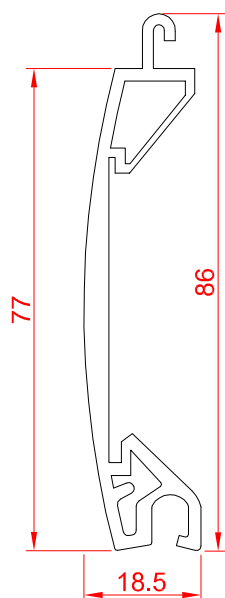
FRONT FACE



FIXING DETAIL



SLAT PROFILE



GUIDE CHANNELS

