

Steel security shutter suitable for commercial and industrial applications requiring insulating properties. The 77mm steel slat has a polyurethane foam insulating core for improved u-values. A maximum surface area of 42m<sup>2</sup> is available with outboard or high speed outboard motors, with tubular motors available for smaller applications.



**APPLICATIONS**

Commercial and industrial sites requiring large aperture coverage and improved insulation properties. High speed motor option available for rapid rise / fast action opening and closing. Suitable for internal or external face or reveal fit.

**CURTAIN SLAT**

Double skinned polyester powder coated 77mm steel slat with polyurethane foam insulating core.

Finish: Galvanised as standard. Powder coating and Plastisol laminated finishes available on request (surcharge applies).

Profile Height:	77mm
Weight per m <sup>2</sup> :	10.6kg
Maximum Width:	7000mm (tubular) 8000mm (outboard)
Maximum Area:	21m <sup>2</sup> (tubular) 42m <sup>2</sup> (outboard)
Slat U-Value:	2.4 W/m <sup>2</sup> K

**CASING**

Galvanised steel casing & end plates as standard. Optional fascia / custom design casings available on request (surcharge applies).

Finish: Galvanised finish as standard. Option to powder coat any RAL / BS colour (surcharge applies).

Plate sizes shown as a guide only and may vary. Outboard motors will generally exceed the given plate size.

**GUIDE CHANNELS**

Galvanised steel guide channels with brush seals. Width of 65mm as standard; 85mm wind guides and windlocks available.

Finish: Galvanised finish as standard. Option to powder coat any RAL / BS colour (surcharge applies).

**BOTTOM SLAT**

Extruded aluminium bottom slat with weather seal.

**OPERATION**

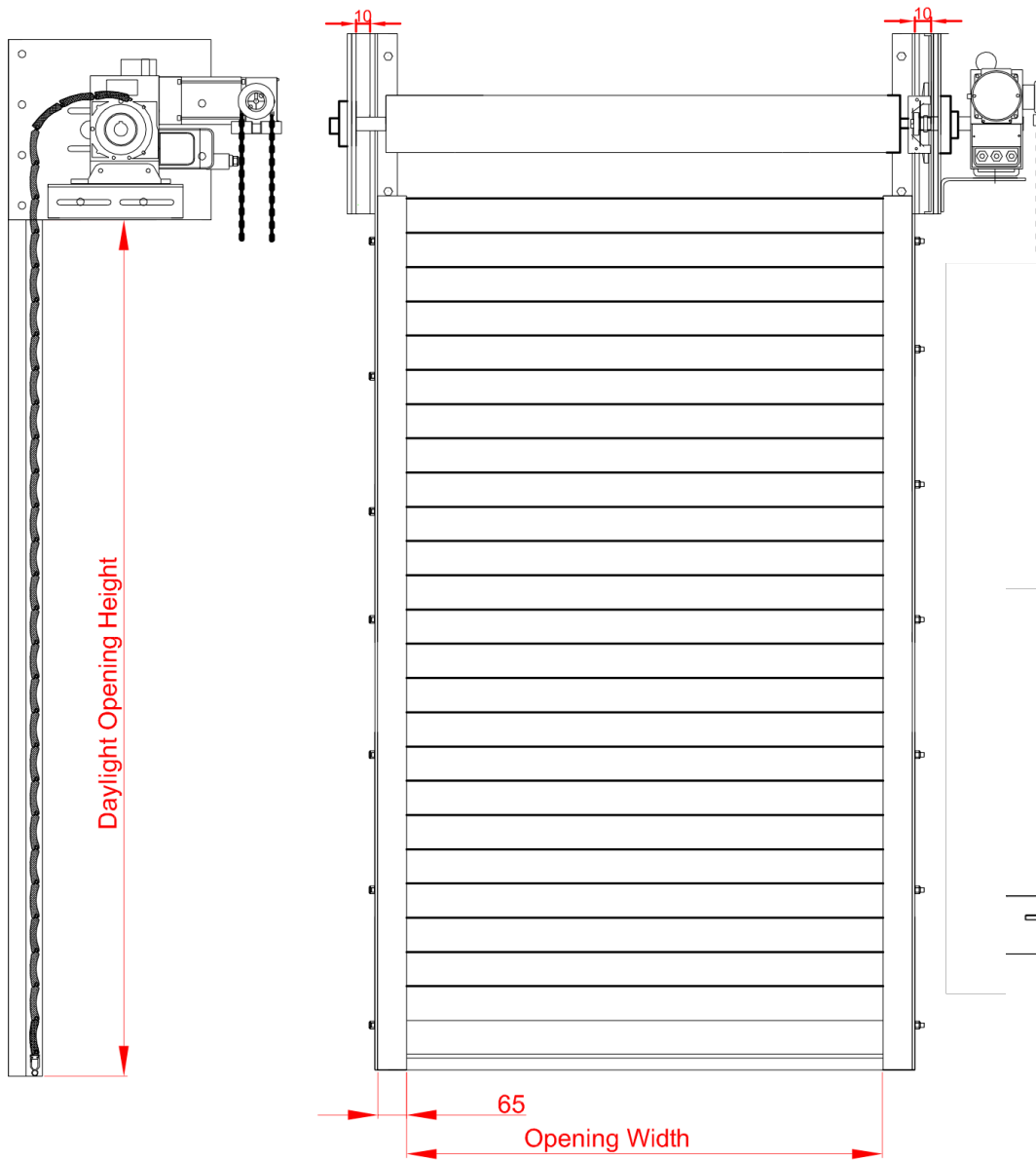
**Electric, Tubular Motor:** Tubular motor with internal rocker or external key switch as standard & safety brake as appropriate to comply with legislation. Manual override facility & crank handle as required (surcharge applies).

**Electric, Outboard Motor:** Three phase motors with safety brake, chain manual override & TS959 push button control station as standard. High speed variant available for rapid rise requirements. Both tubular & outboard motors have numerous control option variants such as high speed, group, remote or mobile phone activation.

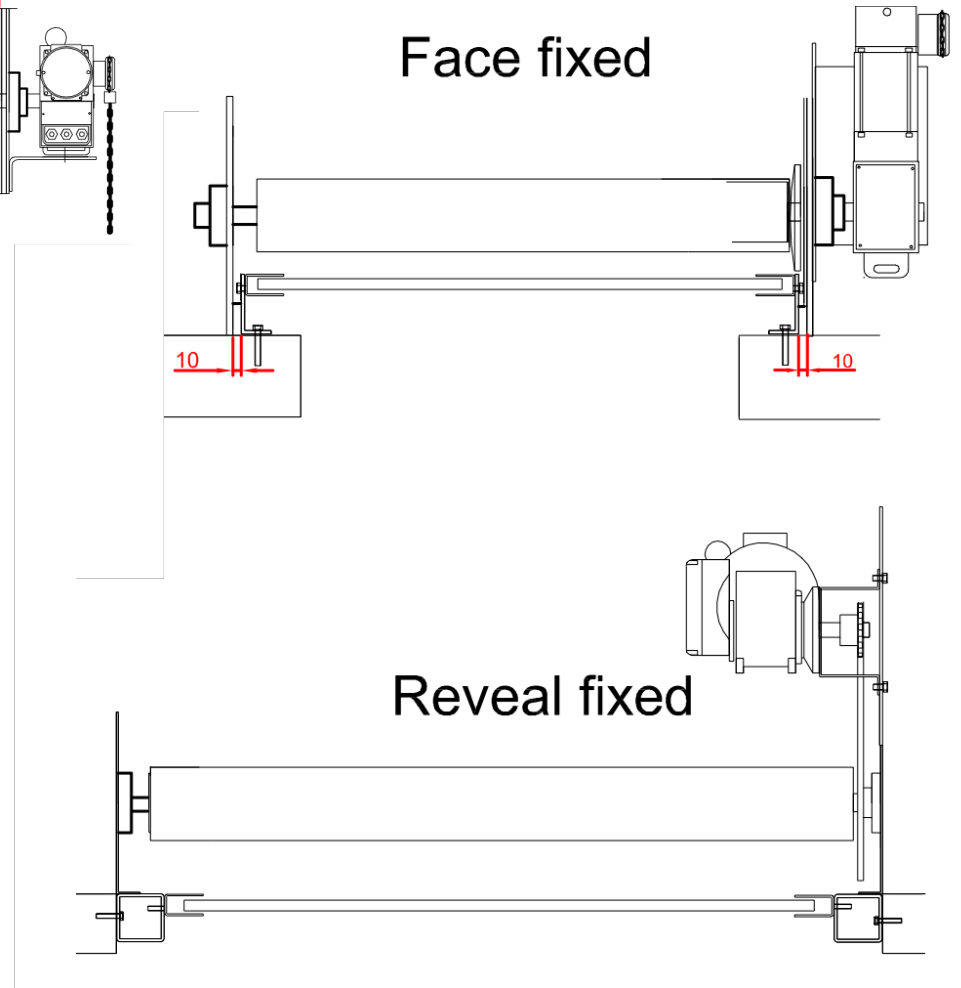
CE compliant to all applicable directives and regulations.

Guide Height (mm)	Plate Size (mm)	Motor
2459	305	Tubular
3500	355	Tubular
5000	400	Tubular
4000	400	Outboard
6000	450	Outboard

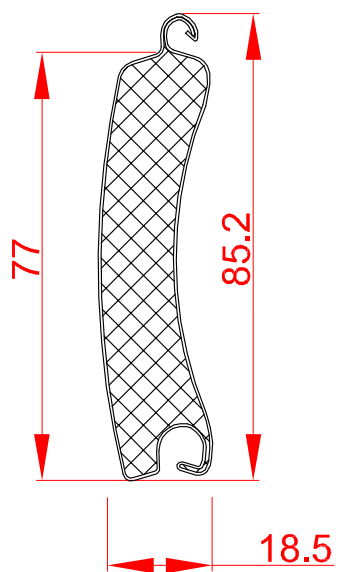
**FRONT FACE**



**FIXING DETAIL**



**SLAT PROFILE**



**GUIDE CHANNELS**

